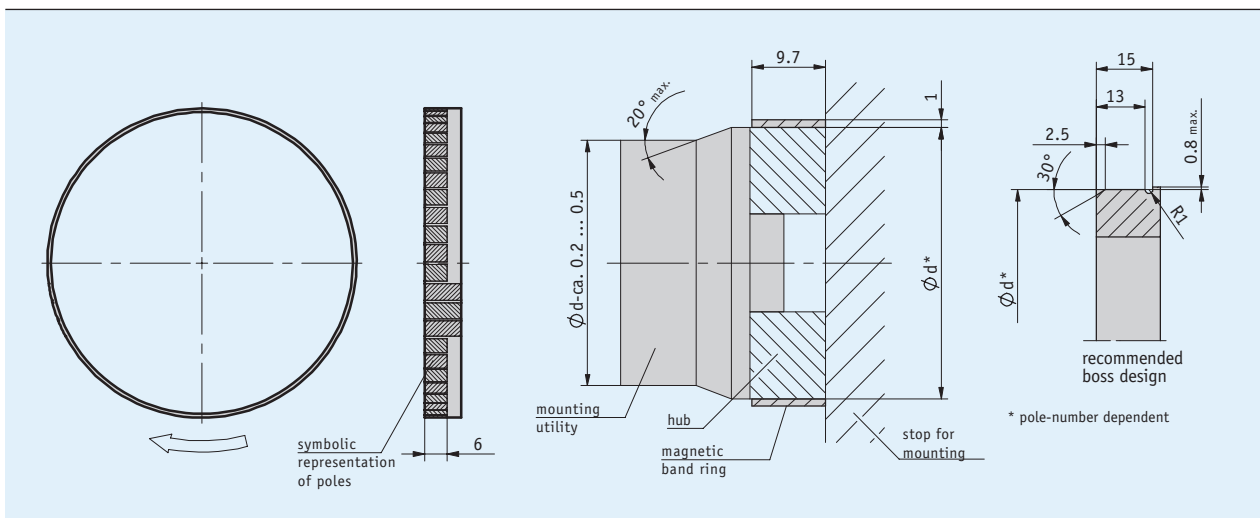


### Profile

- With reference point as an option
- Easy mounting on self-made carrier



### Mechanical data

Feature	Technical data	Additional information
Band width	9.7 mm	
Band thickness	1 mm	without cover strip or adhesive carrier tape
Mounting type	adhesive connection	recommended two-component adhesive: Uhu Plus 300 Endfest

### ■ Table of dimensions

Poles	36	50	100	150	180	250
Diameter D [mm]	35.7 ±0.03	49 ±0.03	100.9 ±0.03	151.8 ±0.03	182.4 ±0.03	253.7 ±0.03
Diameter with MBR320 [mm]	37.7 ±0.03	51 ±0.03	102.9 ±0.03	153.8 ±0.03	184.4 ±0.03	255.7 ±0.03
Circumference U with MBR320 [mm]	118.44	160.22	323.27	483.18	579.31	803.31
Speed n [min <sup>-1</sup> ]	≤12710	≤9370	≤4640	≤3100	≤2590	≤1860

### System data

Feature	Technical data	Additional information
Pole length	3.2 mm	
Measuring range	360°	

### Pulses/revolution

Pole number	36	50	100	150	180	250	
Sensor scaling factor	20	720	1000	2000	3000	3600	5000
	16	576	800	1600	2400	2880	4000
	10	360	500	1000	1500	1800	2500
	8	288	400	800	1200	1440	2000
	5	180	250	500	750	900	1250
	4	144	200	400	600	720	1000
	1	36	50	100	150	180	250

The table applies to the combination of MBR320 with MSK320

### Ambient conditions

Feature	Technical data	Additional information
Ambient temperature	-20 ... 70 °C	
Storage temperature	-20 ... 70 °C	
Relative humidity	100 %	condensation admissible

### Order

#### Ordering table

Feature	Ordering data	Specification	Additional information
Pole number	36	36 poles	
	50	50 poles	
	100	100 poles	
	250	250 poles	
		others on request	
Reference point	0	without	
	M	with	

#### Order key

MBR320 - A - B

Scope of delivery: MBR320, Mounting instructions