

LIR-3200



Incremental encoder

High precision encoder
 Body diameter 200 mm
 Inbuilt coupling
 Resolution up to 900000 ppr

TECHNICAL DATA

mechanical

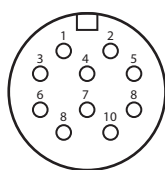
Protection class	IP64
Operating temperature	0...+70°C
Vibration resistance	≤100m/s ² (55...2000Hz)
Shock resistance	≤300m/s ² (10ms)
Max. speed	1000 rpm
Starting torque typ.	≤0.5 Nm
Moment of inertia	≤1.5x10 ⁻³ kgm ²
Endplay of mounting shaft radial/axial	±0.1mm/±0.1mm
Weight (without cable)	~4.9kg

electrical

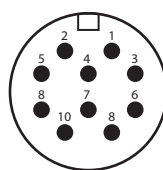
Number of pulses	18000...900000
Pulse shape	Square wave (TTL), 1Vpp
Output signals	A,A-B,B-Z,Z-
Supply voltage	DC 5V ±5%
Current w/o load typ.	≤120 mA

ELECTRICAL CONNECTION

Color	Pin	Signal
Grey	1	Z-
Brown	2	DC 5V
Red	3	B
-	4	Shield
Green	5	A
Blue	6	B-
-	7	-
Yellow	8	A-
White	9	0V
Pink	10	Z



PC10TB (female)



PC10TB (male)

www.skbis.ru
 lir@skbis.ru
 (812)334-17-72

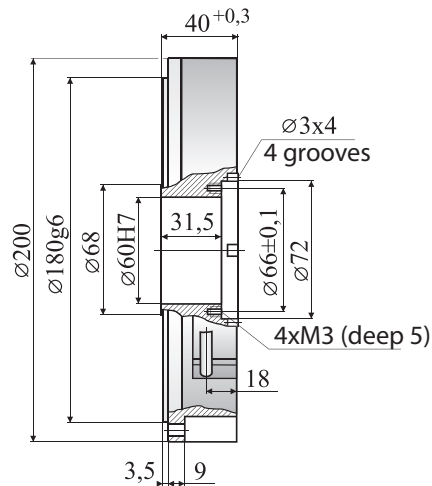
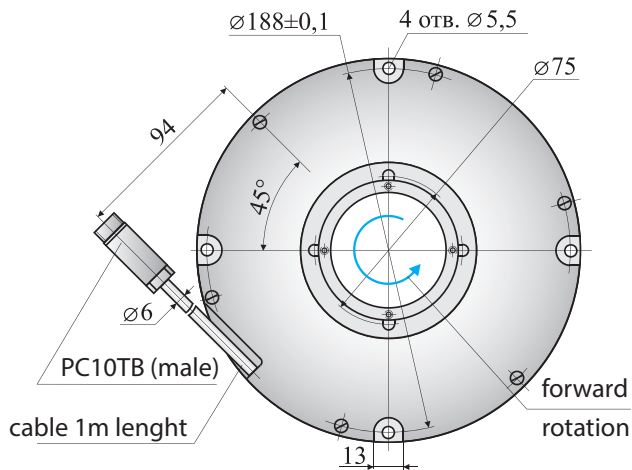
SKB IS, JSC
 2, lit. A, Kondratievsky pr.
 Saint-Petersburg, Russia

LIR-3200

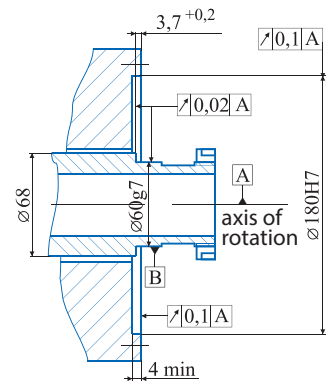
Incremental encoder



DIMENSIONED DRAWINGS



Mounting base



ORDERING CODE

LIR-3200A - 3 - N - 18000 - 05 - SP - 3 - 1.0 - M

