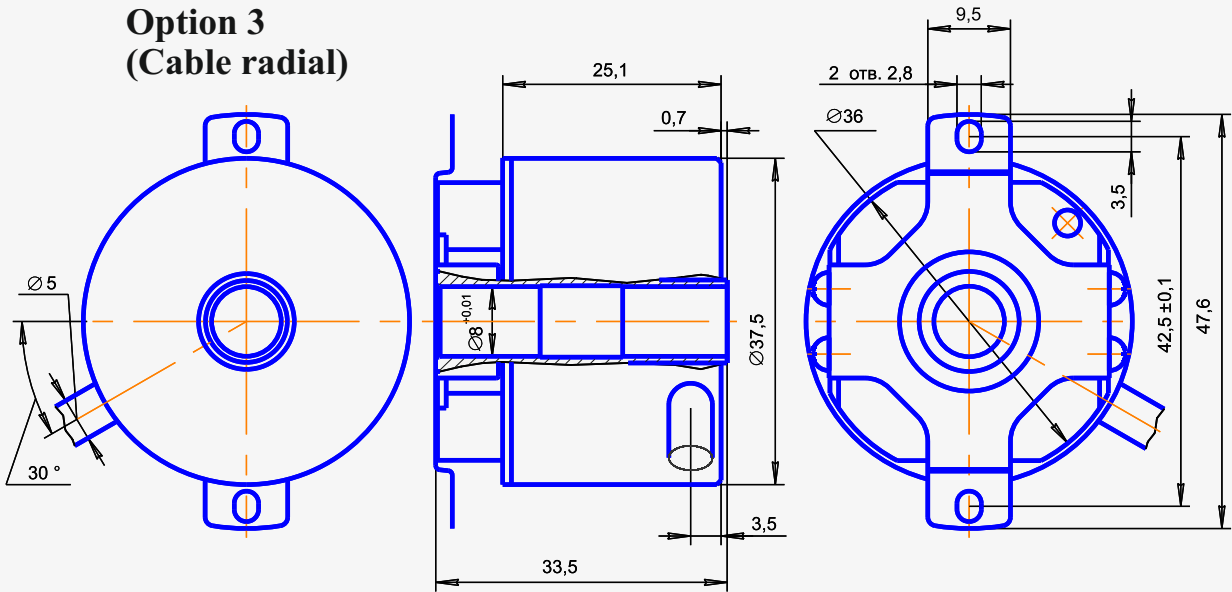


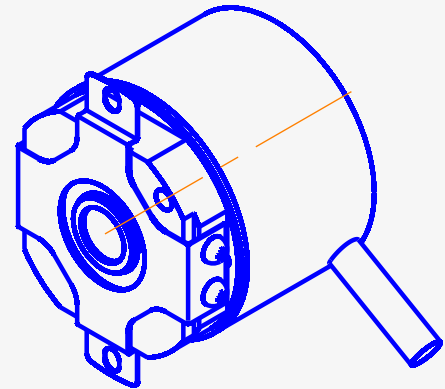
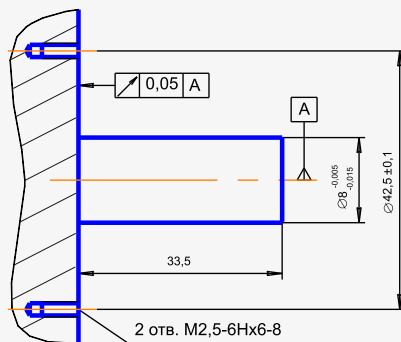
LIR - DA237T

Resolution up to 23 bit

Option 3 (Cable radial)



Установочные базы (узел потребителя)



Technical characteristics

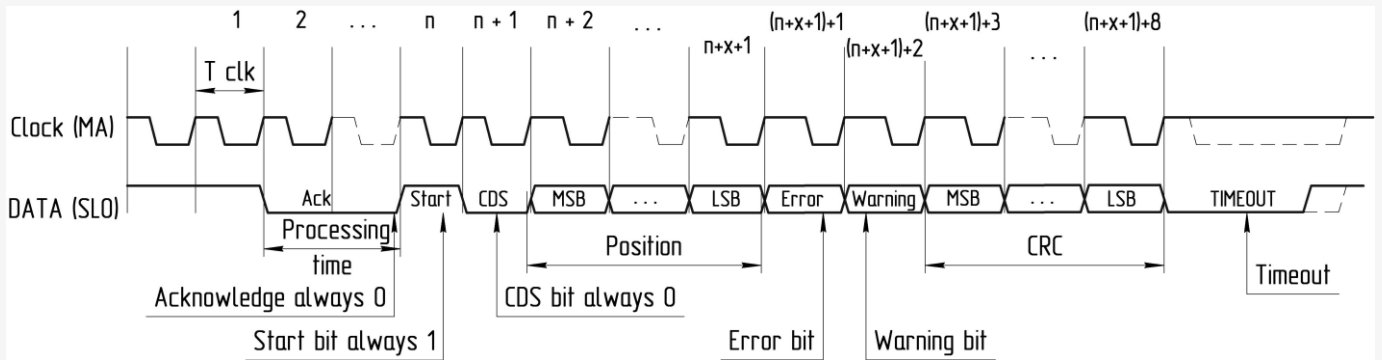
Resolution	up to 23
Type of output code	grey code, binary code
Interface	SSI, BiSS
Power supply	+ (5,0 ± 0,3) V
Drives	RS 422
Current consumption, mA	≤ 140
Max operating speed	100 rev/min

Accuracy	±30"	
Max speed	6000 rev/min	
Torque (20 °C)	≤ 5,9 • 10 ⁻³ N • m	
Momeny of inertia	1 • 10 ⁻⁶ kg • m ²	
Max shaft offset	axial	≤ 5 N
	radial	≤ 10 N

Weight (without cable)	0,06 kg
Protection	IP 40
Operating temperature	(-25...+85) °C - H
Vibration resistance 55...2000 Hz	≤ 100 m/s ²
Shock resistance (10 ms)	≤ 2000 m/s ²

LIR - DA237T

Parameters of signals

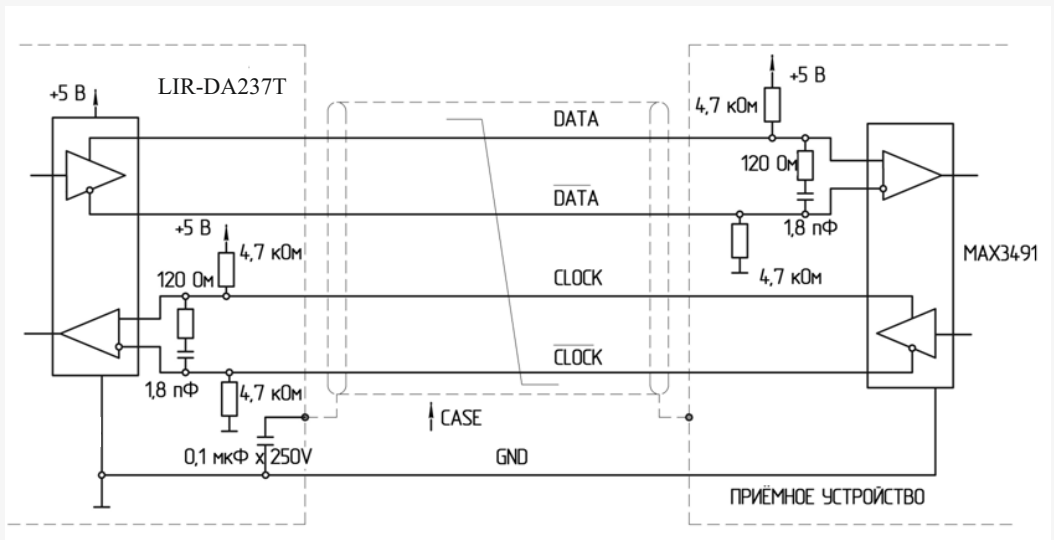


CLOCK - input control signal; DATA - output signal; $T_{clk} = \min 100 \text{ ns}$;
 Processing time = $\min 11 \text{ us}$ (23bit); n depends from processing time and from T_{clk} ;
 x - resolution = $\max 21 \text{ bit}$ (23 optional); CRC always 6 bit;
 Timeout = 16 us (1-16 us optional).

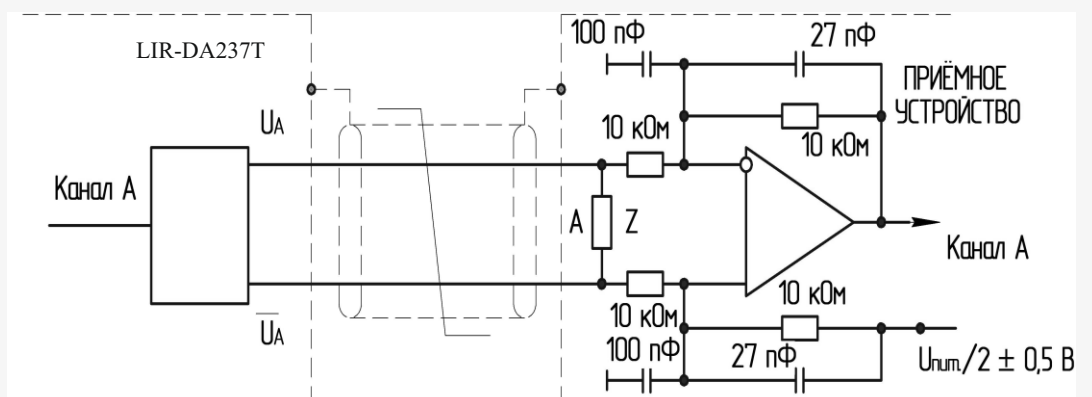
Pin assignment

Color Цвет	Adress Адрес
Brown Коричн.	VDD
Pink Розовый	5V(Enc)
White Белый	GND
Grey Серый	GND(Enc)
Green Зеленый	Clock
Yellow Желтый	$\overline{\text{Clock}}$
Red Красный	Data
Blue Синий	$\overline{\text{Data}}$
Violet Фиол.	A
Black Черный	\overline{A}
Red-Blue Красн-Синий	B
Grey-Pink Серо-Розовый	\overline{B}
Case Экран	Case

Recommended communication circuit of encoder with receiving device



Recommended communication circuit of incremental channel of encoder with receiving device



B channel is similar to channel A. $Z=100 \text{ Ohm}$