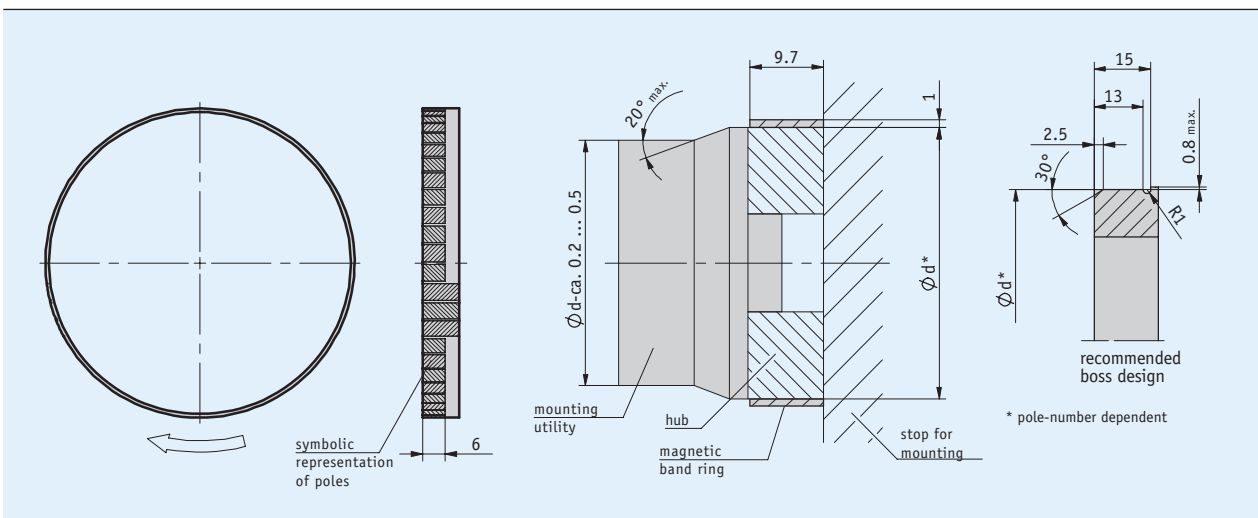


Magnetic band ring MBR200

Incremental, flexible magnetic tape ring for self-assembly, pole length 2 mm

Profile

- With reference point as an option
- Easy mounting on self-made carrier



Mechanical data

Feature	Technical data	Additional information
Band width	9.7 mm	
Band thickness	1 mm	without cover strip or adhesive carrier tape
Mounting type	adhesive connection	recommended two-component adhesive: Uhu Plus 300 Endfest

■ Table of dimensions

Poles	50	64	100	230
Diameter D [mm]	30.7 ±0.03	39.6 ±0.03	62.6 ±0.03	144.7 ±0.03
Diameter with MBR200 [mm]	32.7 ±0.03	41.6 ±0.03	64.6 ±0.03	146.7 ±0.03
Circumference U with MBR200 [mm]	102.73	130.69	202.95	460.87
Speed n [min ⁻¹]	≤14560	≤11450	≤7380	≤3250

System data

Feature	Technical data	Additional information
Pole length	2 mm	
Measuring range	360°	

■ Pulses/revolution

Pole number	50	64	100	230
Sensor scaling factor				
20	1000	1280	2000	4600
16	800	1024	1600	3680
10	500	640	1000	2300
8	400	512	800	1840
5	250	320	500	1150
4	200	256	400	920
1	50	64	100	230

The table applies to the combination of MBR200 with MSK210

Ambient conditions

Feature	Technical data	Additional information
Ambient temperature	-20 ... 70 °C	
Storage temperature	-20 ... 70 °C	
Relative humidity	100 %	condensation admissible

Order

■ Ordering table

Feature	Ordering data	Specification	Additional information
Pole number	50	50 poles	
	64	64 poles	
	100	100 poles	
	230	230 poles	
		others on request	
Reference point	0	without	
	M	with	

■ Order key

MBR200 - -

Scope of delivery: MBR200, Mounting instructions