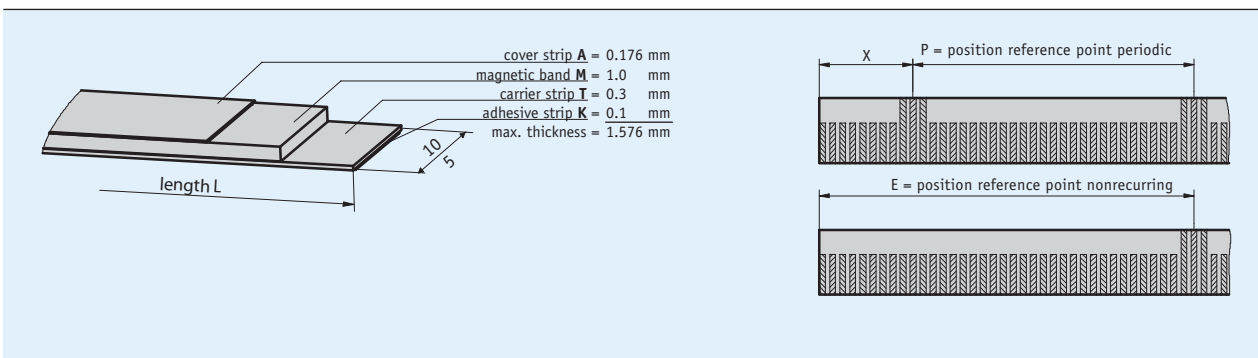
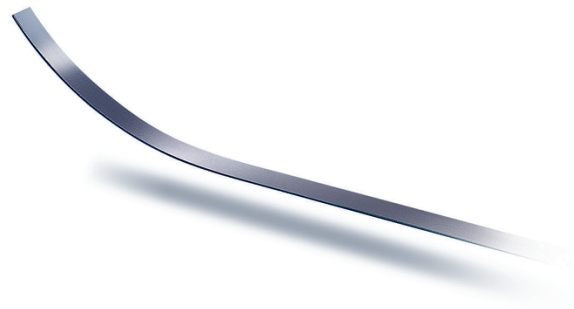


Profile

- Easy adhesive mounting, self-assembly possible
- Reels up to 100 m available
- System accuracy up to 50 µm



Mechanical data

Feature	Technical data	Additional information
Material	stainless steel	cover strip
Band width	10 mm or 5 mm	
Band thickness	1.4 mm	without cover strip
Mounting type	adhesive connection	premounted double-sided adhesive tape
Accuracy class	50 µm or 100 µm	

■ Measurement table of reference points

Reference points [m]	
Fixed distance X	0.05
Periodic P	0.2, 0.3, 0.5
Onetime E	0.05, 0.1, 0.2, 0.5, 1, 2

System data

Feature	Technical data	Additional information
Pole length	5 mm	
Measuring range	∞	

Ambient conditions

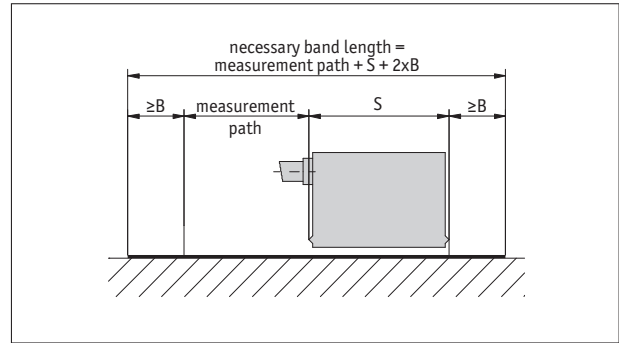
Feature	Technical data	Additional information
Ambient temperature	-20 ... 70 °C	
Storage temperature	-40 ... 70 °C	
Expansion coefficient	(11 ± 1) × 10 ⁻⁶ /K (16 ± 1) × 10 ⁻⁶ /K	spring steel stainless steel
Relative humidity	100 %	condensation admissible

Order

■ **Ordering information**

The necessary tape length is calculated from:
Measured distance + sensor length "S" + (2 x forerun or overrun "B", resp.).

S	see the drawing of the sensor used
B	10 mm (forerun and overrun)



Symbolic representation

■ **Ordering table**

Feature	Ordering data	Specification	Additional information
Length	... A	000.10 ... 100.00 m, in intervals of 0.1 m	ordering detail, see "Ordering information"
tapewidth	10/10 B	in mm	
	5 B	in mm	
Accuracy	0.1 C	0.1 mm	
	0.05 C	0.05 mm	
Material carrier tape	St D	steel	
	VA D	stainless steel	
Adhesive carrier tape	TM E	with	
	TO E	without	
Cover strip	AM F	with	stainless steel
	AO F	without	
Masking tape width	10.0 G	in mm	
	5.0 G	in mm	
Reference point	O H	without	at width 10 mm optional with flexible reference mark, see accessories
	E H	unique	only with 10 mm width
	P H	periodic	only with 10 mm width
Reference point position	... I	0.05, 0.1, 0.2, 0.5, 1.0, 2.0 in m	indicate only if reference point E is chosen, ≤5.0 m
	... I	0.2, 0.3, 0.5 in m	indicate only if reference point P is chosen
	... I	others on request	

■ **Order key**



Scope of delivery: MB500/1

- **Accessories:**
 Profile Rail PS
 Protective band SB
 Profile Rail PS1
 flexible reference mark

www.siko-global.com
www.siko-global.com
www.siko-global.com
 Order key 88436