

# LIR-3170



## Incremental encoder

High precision encoder  
 Body diameter 170 mm  
 Inbuilt coupling  
 Resolution up to 900000 ppr

### TECHNICAL DATA

**mechanical**

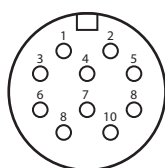
Protection class	IP64
Operating temperature	0...+70°C
Vibration resistance	≤100m/s <sup>2</sup> (55...2000Hz)
Shock resistance	≤300m/s <sup>2</sup> (10ms)
Max. speed	1000 rpm
Starting torque typ.	≤0.5 Nm
Moment of inertia	≤1.5×10 <sup>-3</sup> kgm <sup>2</sup>
Endplay of mounting shaft radial/axial	±0.1mm/±0.1mm
Weight (without cable)	~3.5kg

**electrical**

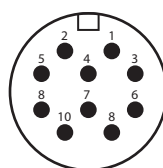
Number of pulses	15000...900000
Pulse shape	Square wave (TTL), 1Vpp
Output signals	A,A-B,B-Z,Z-
Supply voltage	DC 5V ±5%
Current w/o load typ.	≤120 mA

**ELECTRICAL CONNECTION**

Color	Pin	Signal
Grey	1	Z-
Brown	2	DC 5V
Red	3	B
-	4	Shield
Green	5	A
Blue	6	B-
-	7	-
Yellow	8	A-
White	9	0V
Pink	10	Z



**PC10TB (female)**



**PC10TB (male)**

www.skbis.ru  
 lir@skbis.ru  
 (812)334-17-72

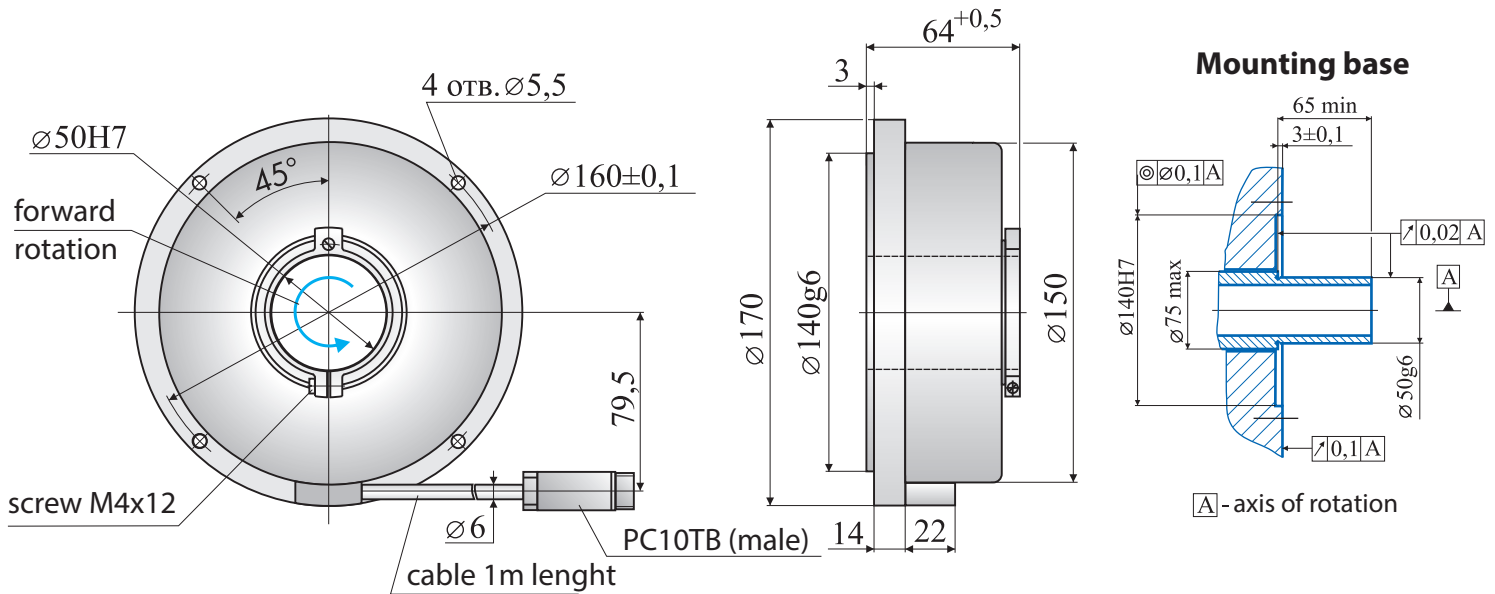
**SKB IS, JSC**  
 2, lit. A, Kondratievsky pr.  
 Saint-Petersburg, Russia

# LIR-3170



## Incremental encoder

### DIMENSIONED DRAWINGS



### ORDERING CODE

